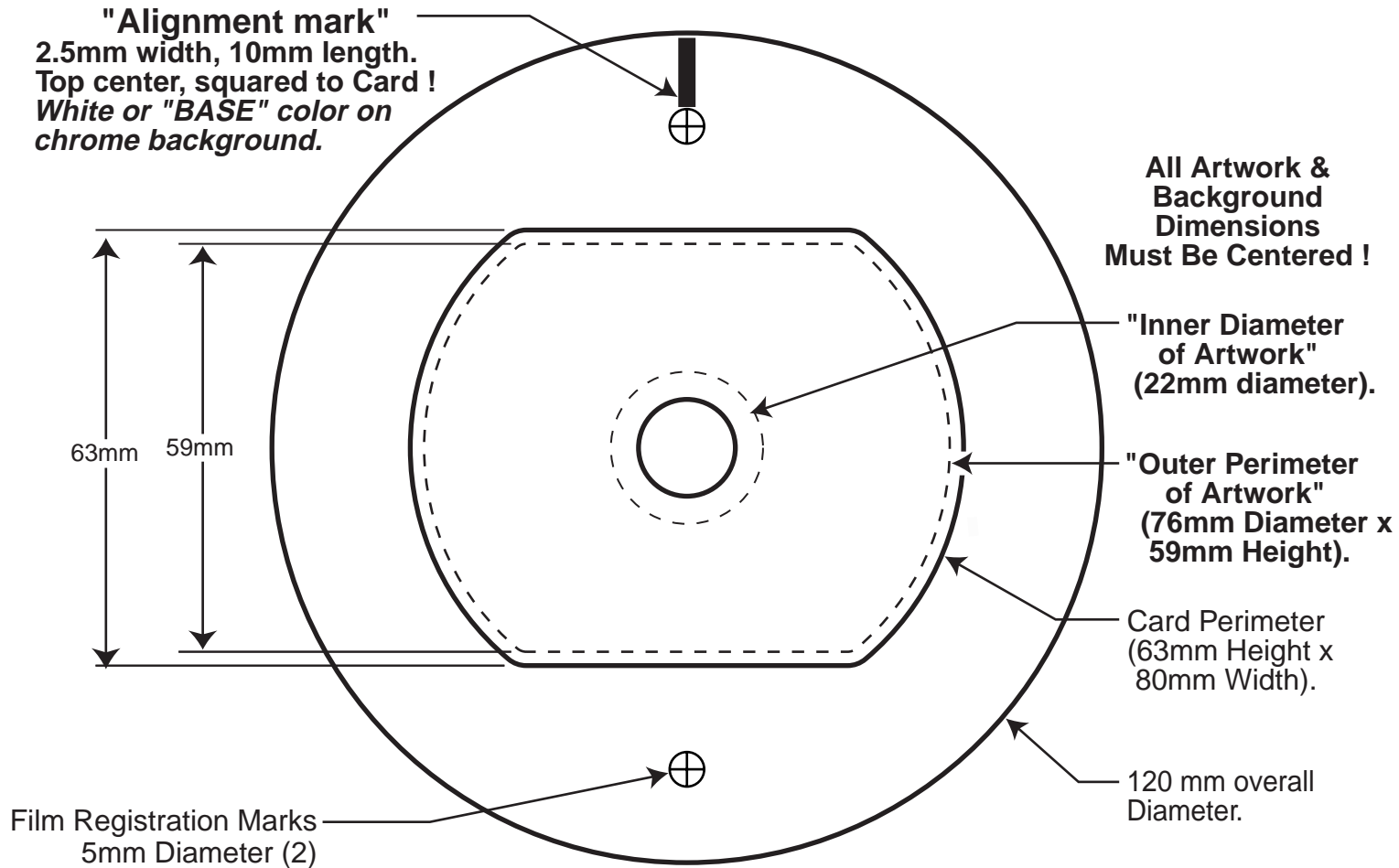


# Print by Premier 65 Mb, Label Template

## Straight Oval Card (Chrome Edge)



### SPECIFICATIONS:

Printing on the surface of the CD uses a silk-screen process using UV-dried inks. We can print up to five colors, which can be matched using the PMS system, or by using the four process colors (CMYK) with or without a white flood to create full-color discs. Formedia recommends the printing of a white flood-coat over the entire printing area.

This will rectify most color deviations between print on the silver areas, and the clear plastic, and changes in transparent colors caused by both surfaces.

Available print area on the CD is between 22 mm and 76 x 59 mm. Art should not bleed beyond these limits. Please remove all lines and curves you do *not* want printed on your disk.

**Films** for the label should each be clearly marked with the required print color. Please enclose a Match Print with your film when four-color process (CMYK) printing is required.

This will help us to match the quality of your original. If you do not supply film, please include copies of your color separations (b/w prints are acceptable). We accept *Adobe Illustrator* (.ai or .eps) and *Quark Xpress* digital formats for art.

Colors may be spot or CMYK only. RGB is not acceptable.

### Please note:

Film type: positive

Emulsion: right read side up.

Line size: minimum 0.15mm for positive images

One separation only per sheet of film.

Angles for separations from a vertical 90° axis:

Yellow = 90° ; Magenta = 45° ; Cyan = 75° ; Black = 15°

Duotone angles must be 30° apart (i.e. 45° black, 15° color)

Between 1270 and 2400 dpi; dots to be oval (may be round).

Screen up to 100 lpi (limited to 85 lpi if halftones are used).

Tone range from 10%-85%.

Registration marks to be included.

Inner and outer guide rings must be deleted.

Multi-color designs should allow for overlap between colors.

Text should be trapped; minimum size 6pt

(reverse from solid: 9 pt).